

DATA SHEET

AQ-ALERT+

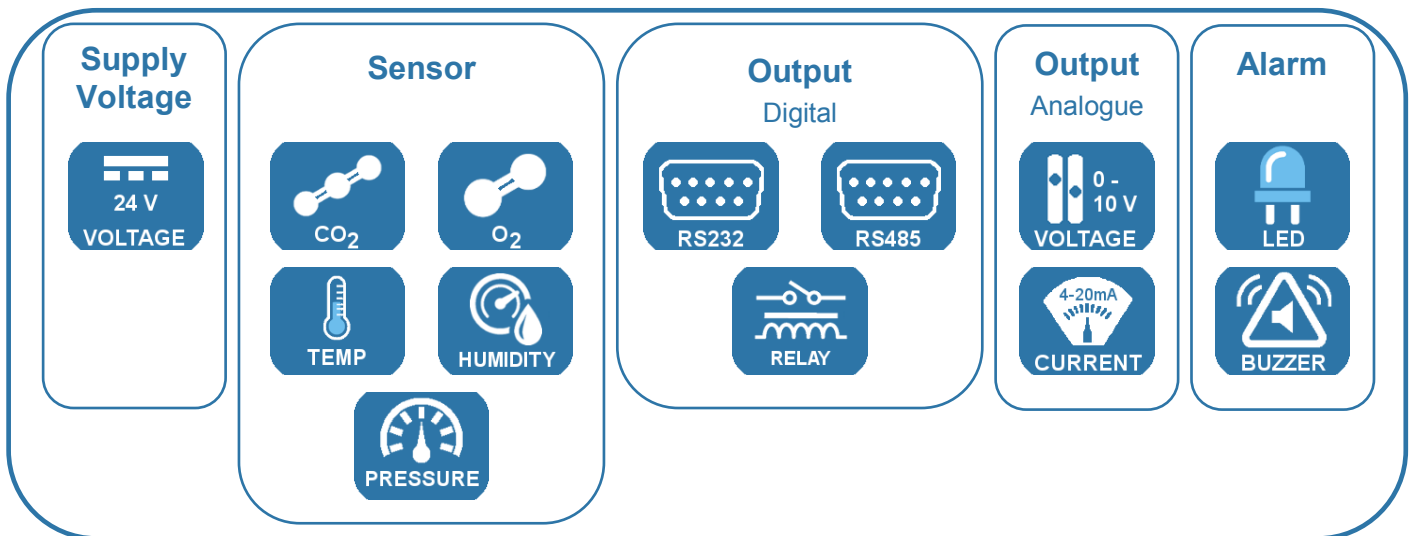


Air Quality Monitor

FEATURES



- The AQ-Alert+ provides customers with a multi-gas monitoring system
- Compact, wall-mounted design
- Can be operated in three modes; stand-alone, direct control or integrated into a building management system.



APPLICATIONS

Due to its versatility the AQ-Alert+ system is suitable for a variety of applications including schools, offices, homes and public buildings.

TECHNICAL SPECIFICATIONS

Supply voltage	24V _{DC} ±10%
Current consumption ⁽¹⁾	250mA max.
Sensors	–up to five CO ₂ , O ₂ , temperature (T), relative humidity (Rh) and atmospheric pressure (P)
Analogue output	–up to three 4–20mA; load 500Ω max. 0–5V _{DC} ; load 10kΩ max. 0–10V _{DC} ; load 10kΩ max. 1–5V _{DC} ; load 10kΩ max.
Communications	–one RS232 or RS485 (Modbus RTU)
Relay outputs	–up to three 37.5VA, 250V _{AC} max.
Alarms	–visual LEDs; traffic light sequence –audio Buzzer; 70dB at 4kHz

SENSOR OPTIONS

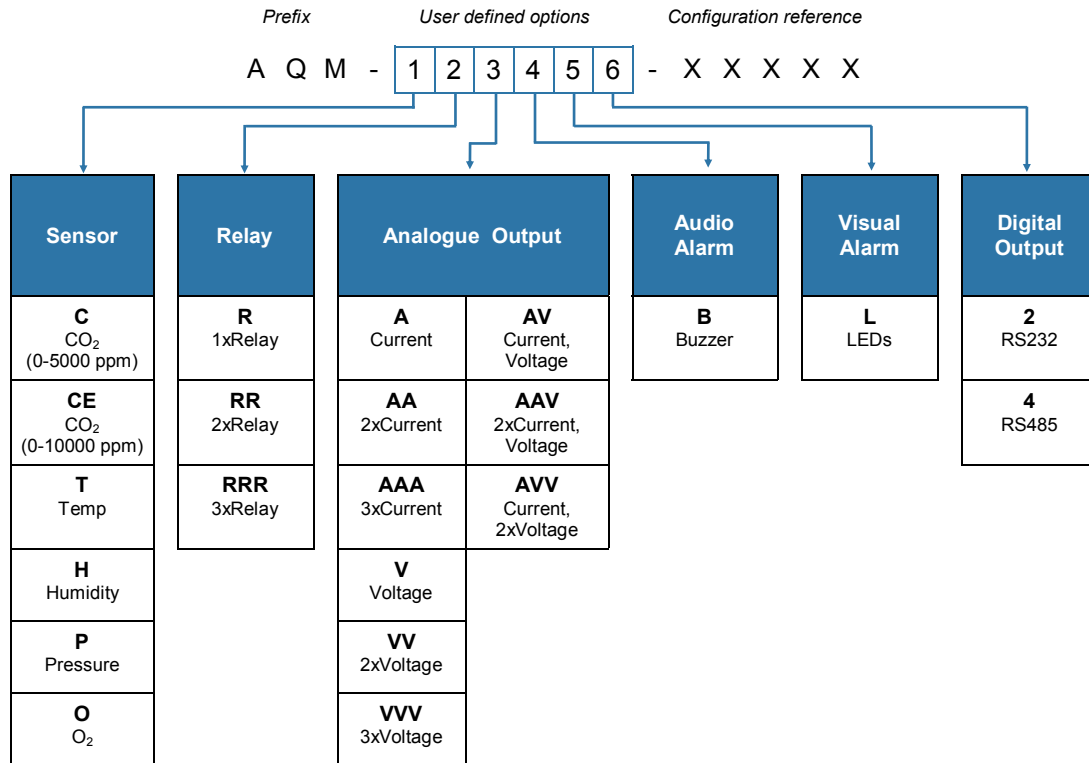
	O₂ sensor: Measurement range ⁽²⁾ 0–25% Accuracy 1% vol. O ₂ Resolution 0.01% vol. O ₂
	CO₂ sensor: Measurement range 0–5000ppm, 0–10000ppm Accuracy ±70ppm, ±5% of reading ⁽³⁾ Resolution 1ppm
	Temperature sensor: Measurement range 0–50°C Accuracy ±2°C Resolution 0.1°C
	Relative humidity sensor: Measurement range 0–95%Rh non-condensing Accuracy ±3% Resolution 0.1%
	Atmospheric pressure sensor: Measurement range 750–1150mbar Accuracy ±5mbar Resolution 1mbar

NOTES

- 1) All possible sensor and output options fitted.
- 2) Prolonged operation below 0.1% O₂ will damage the sensing element.
- 3) Whichever is greater.

ORDER INFORMATION

Generate your specific part number using the convention shown below. Use only those letters and numbers that correspond to the sensor and output options you require — omit those you do not. Include the 'AQM' prefix.



Examples:

- CO₂ sensor, O₂ sensor, two current outputs, buzzer and an RS485 output → **AQM—COAAB4**
- Temperature sensor, pressure sensor, O₂ sensor, two relays, one current output, two voltage outputs, buzzer and LEDs → **AQM—TPORRAVBL**

Notes:

- Refer to [Technical Specifications](#) overleaf for option quantity details.
- Leave the *Configuration reference* blank, this will be defined by SST Sensing Ltd. at the time of ordering.

Need help? Ask the expert
Tel: + 44 (0)1236 459 020
and ask for “Technical”



! CAUTION

Do not exceed maximum ratings and ensure sensor(s) are operated in accordance with their requirements. Carefully follow all wiring instructions. Incorrect wiring can cause permanent damage to the device. Do NOT use chemical cleaning agents. **Failure to comply with these instructions may result in product damage.**

i INFORMATION

As customer applications are outside of SST Sensing Ltd.'s control, the information provided is given without legal responsibility. Customers should test under their own conditions to ensure that the equipment is suitable for their intended application. **For technical assistance or advice, please email: technical@sstsensing.com**

General Note: SST Sensing Ltd. reserves the right to make changes to product specifications without notice or liability. All information is subject to SST Sensing Ltd.'s own data and considered accurate at time of going to print.

